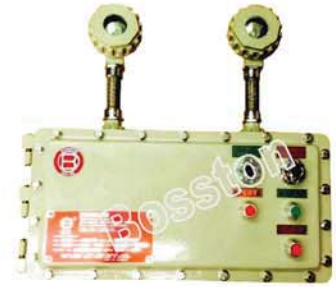


Technical data:

Type of Protection	: Ex d IIB T4/T6
Conforming to	: Standards IEC 60079-0 to 1 or UL 60079-1
Marking for test	: Ex II2G
Degree of Protection	: IP54/66 acc. To IEC 60529
Ambient Temp. (Ta)	: -20°C to +40°C or +55°C
Rated Voltage	: 220 - 240 V. A.C 50/60Hz. Output 12,6 V. DC.
Lamp	: 35 W. or 50 W. (Halogen lamp)
Lamp (NEW PRODUCT)	: 9 W. or 12 W. (LED) Auto test TYPE B only
Battery	: 12V. 17Ah (Halogen lamp) , 6V. 7Ah (LED)
Recharge time	: 24-hours from fully discharge (Halogen Lamp) : 12-hours from fully discharge (LED)
Emergency duration	: 2-hours (Standard) or 3-4 hour (Made-to-order)
Entries thread	: 3/4" NPT at right
Protection class for UL.	: Class I, Division1 or 2 Group. C,D Class II, Division1 or 2 Groups. E,F,G Class III
Protection class for IEC	: Zone1 , 21 and Zone 2 , 22



TYPE A



TYPE B



TYPE C



TYPE D

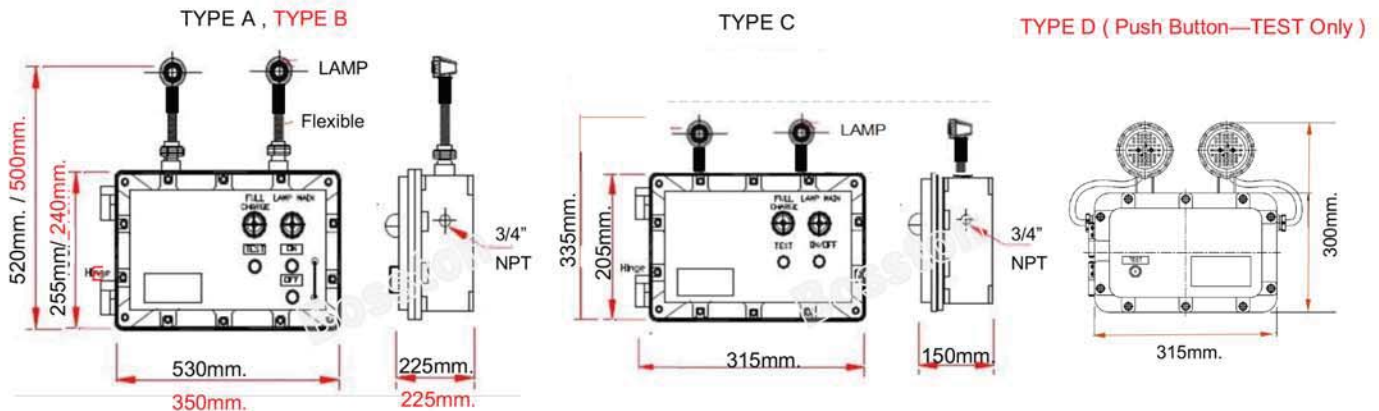
Specification:

Body and cover	: Marine grade copper-free aluminum alloy with epoxy-polyester powder coated , RAL7032 (GREY)
Sealing gasket	: Silicone -40°C to +175°C
Lid screws	: Stainless steel

Catalogue Number:

Lamp Watts	Cat., No	Temp. Class	
		Ta 40 ° C	Ta 55 ° C
Halogen Lamp 2 x 35w.(Halogen)	EMG235	T5	T4
2 x 50w.(Halogen)	EMG250		
NEW LED Lamp 2 x 9w. (LED)	EMG209		
2 x12w. (LED)	EMG212		

Dimension:



Technical data:

Explosion Protection	: Ex d IIB T4/T6
Conforming to	: Standards IEC 60079-1 or UL 60079-1
Marking for test	: Ex II2G
Degree of Protection	: IP54/66 acc. To IEC 60529
Ambient Temp. (Ta)	: - 5°C to + 55°C
Rated Voltage	: 220 - 240 V. AC. 50/60Hz.
Lamp	: 1 x 10w. For Flu. , 1 x 26w. For Compact Flu.
LED Life	: 35000 Hrs.
LED Watt. (NEW PRODUCT)	: 10w., 15w.
Battery	: 6V. 4Ah (Flu. and Compact Flu.) : 3.6V. 2.1Ah (LED)
Recharge time	: 24-hours from fully discharge (Flu. and Compact Lamp) : 10-12-hours from fully discharge (LED)
Emergency duration	: 2-hours (Standard) or 3-4 hours (Made-to-order)
Entries thread	: 3/4" NPT
Protection class for UL.	: Class I, Division 1or 2 Group. C,D Class II, Division 1 or 2 Groups. E,F,G Class III
Protection class for IEC	: Zone1 , 21 and Zone 2 , 22



TYPE A



TYPE B



TYPE C

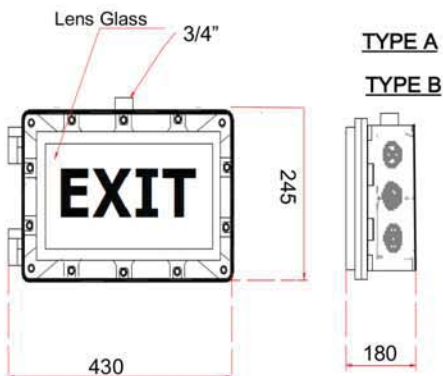


TYPE D

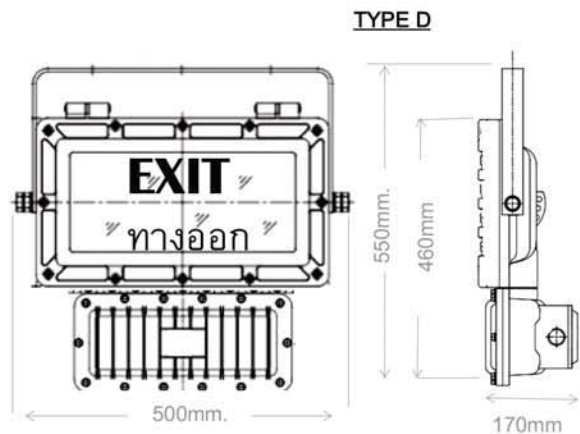
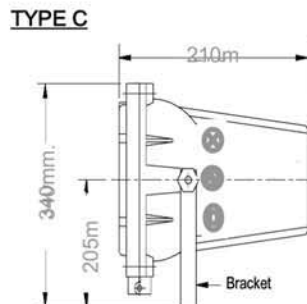
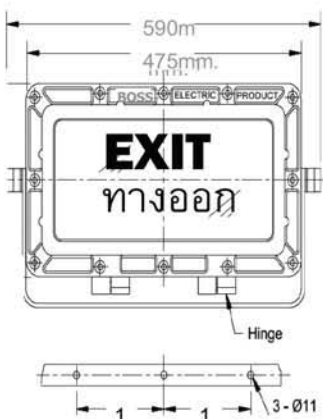
Specification:

Body material	: Marine grade copper-free aluminum alloy with epoxy-polyester powder coated , RAL7032 (GREY)
Lens	: Heat and impact resistant clear glass
Sing face	: White, Green acrylic with red, white color letters.

Catalogue Numbers and Dimension:



Lamp Watts	Temp. Class (Surface Temp.)		Cat., No.
	40 °C Ta	55 °C Ta	
Fluorescent			
1 x 10 W.	T6	T6	EXIT110F
Compact Fluorescent			
1 x 26 W.	T6	T6	EXIT126CF
LED LAMP			
10w.	T6	T6	EXIT2010L
15w.	T6	T6	EXIT2015L



Technical data:

Explosion Protection	: Ex d IIB T6
Conforming to	: Standards IEC 60079 - 0 to 1 or UL 60079-1
Marking for test	: Ex II2G
Degree of Protection	: IP54/65 (Option) acc. To IEC 60529
Ambient Temp. (Ta)	: - 5°C to + 55°C
Rated Voltage	: 220 - 240 V. AC. 50/60Hz.
Lamp	: 1x9w. For LED
Battery	: 6V. 4Ah (Flu.)
Recharge time	: 24-hours from fully discharge
Emergency duration	: 2-hours
Entries thread	: 3/4" NPT
Protection class for UL.	: Class I, Division 1or 2 Group. C,D Class II, Division 1 or 2 Groups. E,F,G Class III
Protection class for IEC	: Zone1 , 21 and Zone 2 , 22



EXIT109L

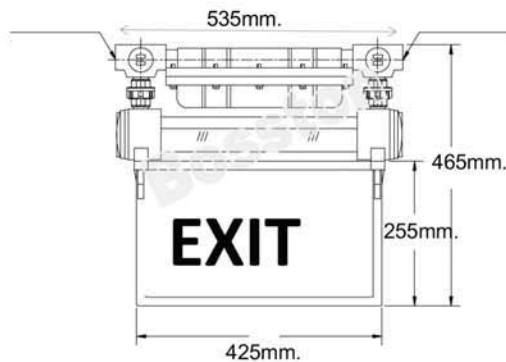
Specification:

Body material	: Marine grade copper-free aluminum alloy with epoxy-polyester powder coated , RAL7032 (GREY)
Lens	: Heat and impact resistant clear glass
Sing face	: White, Green acrylic with red, white color letters.

Catalogue Numbers:

Lamp Watts	Temp. Class (Surface Temp.)		Cat., No.
	40 °C Ta	55 °C Ta	
LED (Chip) 1 x 9 W.	T6	T6	EXIT109L

Dimension :



Technical data:

Explosion Protection	: Ex d IIB T6
Conforming to	: Standards IEC 60079 - 0 to 1 or UL 60079-1
Marking for test	: Ex II2G
Degree of Protection	: IP54/65 acc. To IEC 60529
Ambient Temp. (Ta)	: - 5°C to + 55°C
Rated Voltage	: 220 - 240 V. AC. 50/60Hz.
Lamp	: 10 w. For LED
Battery	: 6V. 4Ah (Flu. and Compact Flu.)
Recharge time	: 24-hours from fully discharge
Emergency duration	: 2-hours
Entries thread	: 1/2" NPT
Protection class for UL.	: Class I, Division 1or 2 Group. C,D Class II, Division 1 or 2 Groups. E,F,G Class III
Protection class for IEC	: Zone1 , 21 and Zone 2 , 22



EXIT-R2010LA



EXIT-R2010LB

Specification:

Body material	: Marine grade copper-free aluminum alloy with epoxy-polyester powder coated , RAL7032 (GREY)
Lens	: Heat and impact resistant clear glass
Sing face	: White, Green acrylic with red, white color letters.

Catalogue Numbers:

Lamp Watts	Temp. Class (Surface Temp.)		Cat., No.
	40 °C Ta	55 °C Ta	
LED (Chip)			
10 W.	T6	T6	EXIT-R2010LA
10 W.	T6	T6	EXIT-R2010LB

Dimension :

